

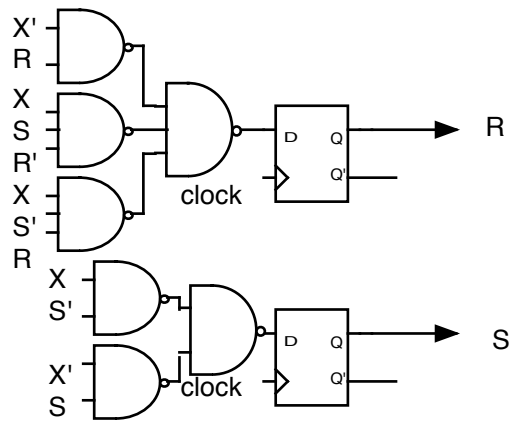
EET 361 Digital Systems I

Winter 2010

Homework Assignment 2

Due January 19

Construct a state table and graph for the following circuit:



Assuming that initially $R=S=0$, and an input sequence $X = 0\ 1\ 1\ 1\ 0\ 1\ 0\ 1$, list the output sequence.